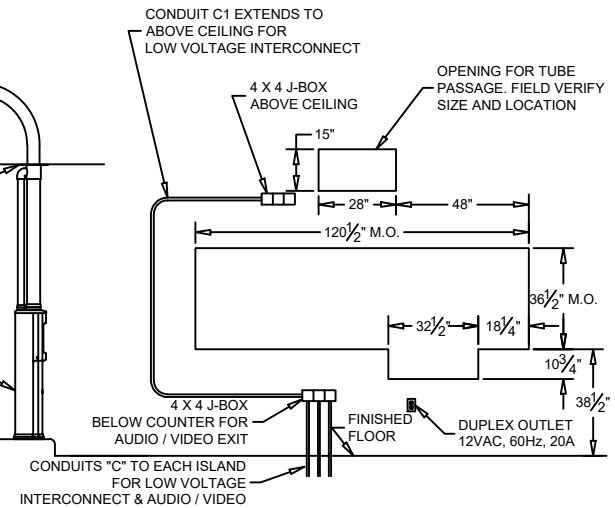
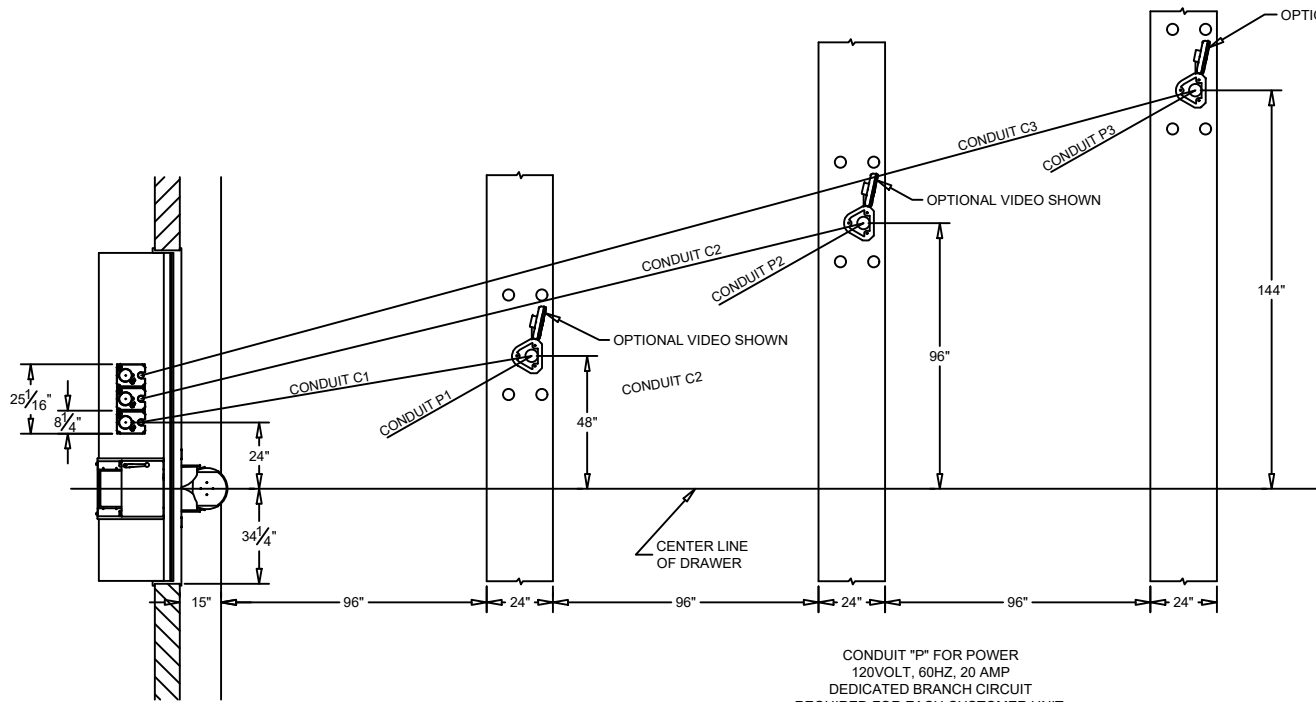


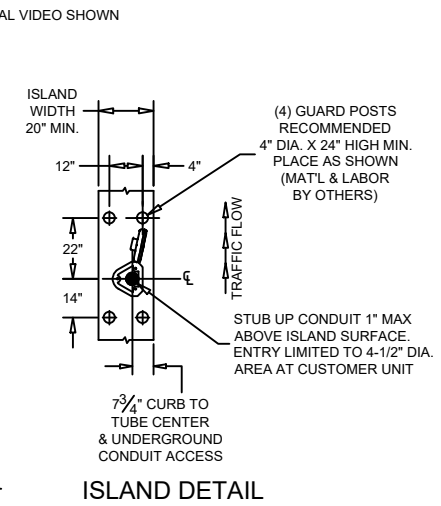
SECTION



MASONRY DETAIL
(FOR MODEL 310D U.L. WINDOW)



PLAN



ISLAND DETAIL

ADDITIONAL DRAWINGS TO REFERENCE:
95-696, 99-915, & 99-1140

NOTE: CONDUIT "P" TO BUILDING POWER PANEL
CONDUIT "C" TO JUNCTION BOX BELOW COUNTER
AND EXTENDED ABOVE CEILING TO TELLER AREA

CONDUIT "P" FOR POWER
120VOLT, 60HZ, 20 AMP
DEDICATED BRANCH CIRCUIT
REQUIRED FOR EACH CUSTOMER UNIT.

est. 1967

HAMILTON

CUSTOM MADE SECURITY

PROPRIETARY AND CONFIDENTIAL
THESE DRAWINGS ARE THE PROPERTY
OF HAMILTON SAFE CO. AND SHALL
NOT BE REPRODUCED, COPIED, USED
AS THE BASIS FOR MANUFACTURE OR
SALE OF APPARATUS WITHOUT
PERMISSION

DESCRIPTION	
PNEUMATIC TUBE SYSTEMS MODEL HA1000-XLR "312" SYSTEM - OVERHEAD TUBING	
DRAWING/MODEL NUMBER	DATE
99-1150	10/8/2021